

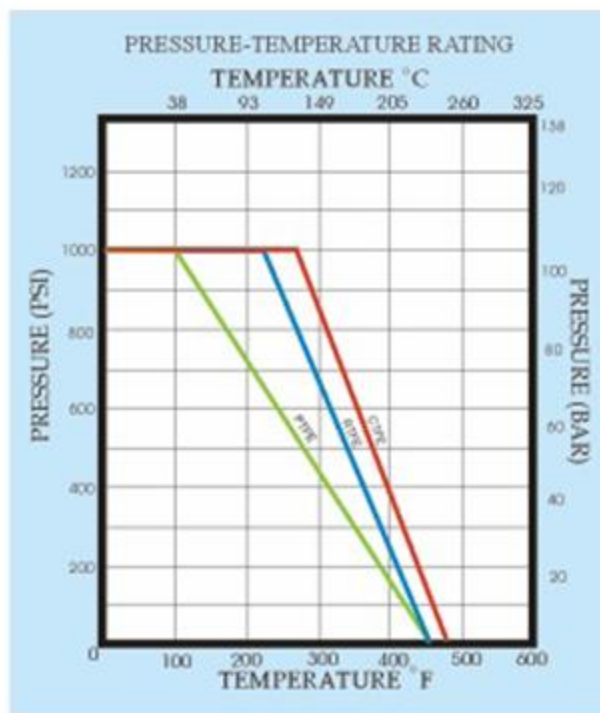
Applicable standard	
Test and inspection	API 598

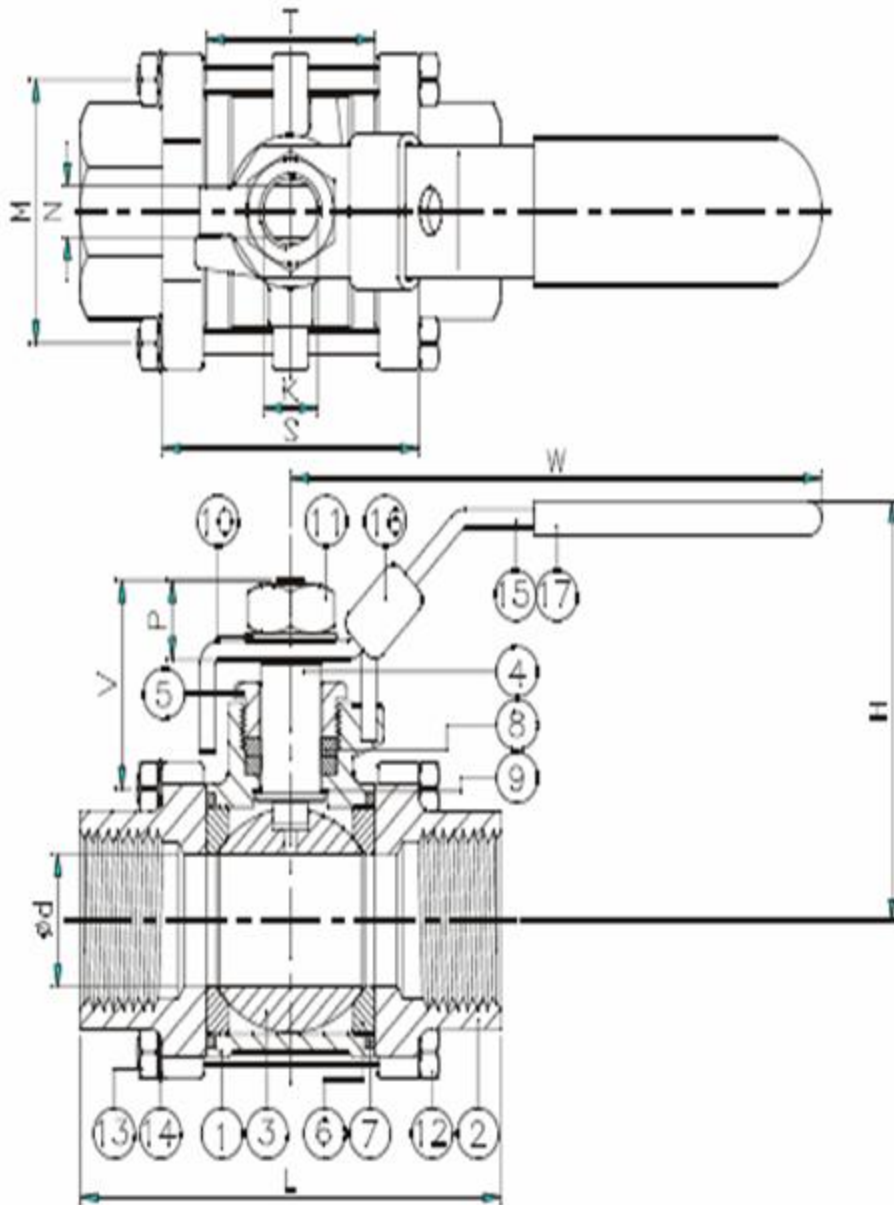


### FEATURES

- \* The thread ends conform to ASME B1.20.1 (NPT) DIN 2999 & BS 21 ISO 228/1 & ISO 7/1
- \* Investment casting
- \* Blow-out-proof stem

- \* Full Port
- \* 1000 W.O.G / PN 63
- \* PTFE seal & packing
- \* Latch lock handle (option)





ITEM	PARTS	MATERIAL	
		1	BODY
2	CAP		
3	BALL	ASTM A351 – CF8M / 1.4408	
4	STEM	ASTM A276-316	
5	GLAND NUT	AISI 304	
6	BALL SEAT	PTFE / RTFE / CTFE	
7	BODY SEAL	PTFE	
8	PACKING		
9	THRUST WASHER		
10	SPRING WASHER		
11	STEM NUT	ASTM, A194 GR.8	
12	BOLT	ASTM A193-B8	
13	BOLT NUT		
14	SPRING WASHER	AISI 304	
15	HANDLE	ASTM A 167-304	
16	LATCH LOCK		
17	HANDLE SLEEVE	PVC	

\* RTFE = 15% GLASS FIBER + TFE

\* CTFE = 25% CARBON + TFE

PN 63

DN	d	L	H	W	S	T	M	N	V	P	K	Weight
8	11.6	64.5	54	102	35.5	21.5	29	5	29.7	10.5	5/16w	0.41
10	12.7	64.5	54	102	35.5	21.5	29	5	29.7	10.5	5/16w	0.41
15	15	66	57	102	38	24	33.2	5	30.1	10.5	5/16w	0.52
20	20	83.5	66	120.5	43	28	37.5	6.5	36.5	13.5	3/8w	0.71
25	25	95	76	158.5	54	35	42.4	8	40.6	15.5	7/16w	1.08
32	32	111.2	81	158.5	65	45	50.9	8	41.8	15.5	7/16w	1.71
40	38	129.8	98	188	75	55	59.4	9	48.5	17.5	1/2w	2.35
50	50	151	105	188	88	66	73.4	9	49.4	17.5	1/2w	3.55
65	65	184	138	245	114	85	96.5	12	72.1	33	3/4w	8.9
80	80	209	154	245	132	100	81	12	65.6	33	3/4w	14.3
100	100	234.4	178	320	158	125	102	16	76.2	42	1w	23.4

1000WOG

Unit : mm / kg

NPS	d	L	H	W	S	Y	M	N	V	P	K	Weight
¼"	0.46	2.54	2.13	4.02	1.40	0.85	1.14	0.20	1.17	0.41	5/16w	0.90
⅜"	0.50	2.54	2.13	4.02	1.40	0.85	1.14	0.20	1.17	0.41	5/16w	0.90
½"	0.59	2.60	2.24	4.02	1.50	0.94	1.31	0.20	1.19	0.41	5/16w	1.15
¾"	0.79	3.29	2.60	4.74	1.69	1.10	1.48	0.26	1.44	0.53	3/8w	1.57
1"	0.98	3.74	2.99	6.24	2.13	1.38	1.67	0.31	1.60	0.61	7/16w	2.38
1-¼"	1.26	4.38	3.19	6.24	2.56	1.77	2.00	0.31	1.65	0.61	7/16w	3.77
1-½"	1.50	5.11	3.86	7.40	2.95	2.17	2.34	0.35	1.91	0.69	1/2w	5.18
2"	1.97	5.94	4.17	7.40	3.46	2.60	2.89	0.35	1.94	0.69	1/2w	7.83
2-½"	2.58	7.24	5.43	9.65	4.49	3.3	3.80	0.47	2.84	1.30	3/4w	19.62
3"	3.15	8.23	6.06	9.65	5.20	3.94	3.19	0.47	2.58	1.30	3/4w	31.53
4"	3.94	9.23	7.01	12.60	6.22	4.92	4.02	0.63	3.00	1.65	1w	51.50

