

- SERIES S**

FLANGES : Size 15 -80 Connecting dimensions and thickness to BS – 10 Table F

FLANGES : Size 100 – 350 Connecting dimensions and thickness to ANSI B 16-1 Class 125 lbs

**RANGE OF APPLICATION**

SIZE IN mm	PRESSURE RATING	HYD. TEST PRESSURE IN BAR FOR	
		BODY	SEAT
15 – 50	16.00	24.00	16.00
65 – 100	10.50	15.75	10.50
125 – 150	10.00	15.00	10.00
200	7.00	10.50	7.00
250 - 350	6.00	9.00	6.00

MATERIALS

BODY	Cast iron IS : 210 Gr FG 260 / with hard / soft rubber lining. / glass lining
BONNET / COMPRESSOR	Cast iron IS : 210 Gr FG 260
DIAPHRAGM 1)	Quality according to working condition
STEM	Ferritic chrome steel AISI : 410
BUSHING	S G iron IS : 1865 Gr 500 / 7
CONNECTIONG STUDS / NUTS	Steel IS : 1367, Gr 4.6 / 4
HANDWHEEL	Cast iron Gr 200.
VALVE SUFACE PROTECTION	Prime coat : chlorine-free with modified alkyd resin, unobjectionable in physiological and toxylogical respects. Additional external coating: machine varnish, bluish grey

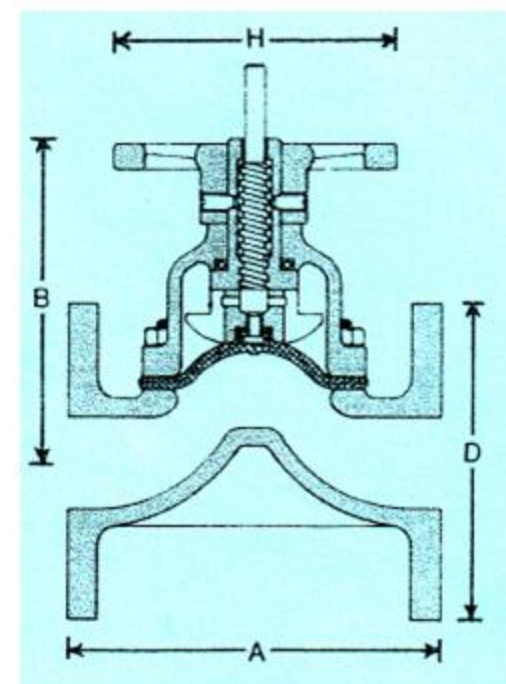


BDK DIAPHRAGM VALVES pg 2 of 3

FEATURES

- Weir pattern, without stuffing-box, absolutely leak tight, with rising stem and non-rising handwheel. The valve is closed by turning the handwheel in clockwise direction. The travel stop is also serving as indicating device. Provided with grease nipple for lubrication of threaded bush & stem. Diaphragm can be replaced without removing the valve from the pipeline.

SIZE mm	FACE TO FACE DIMENSION A			HEIGHT APPROX B mm	FLA NGE DIAMETER D mm	HANDWHEEL DIAMETER H mm	WEIGHT 2) Approx. Kg
	UNLINED	RUBBER LINED	GLASS LINED				
	Mm	mm	mm				
15	108	114	110	85	95	70	2.5
20	117	123	119	95	105	70	2.6
25	127	133	129	105	121	100	3.5
40	159	165	161	145	150	140	7.0
50	190	196	192	155	165	140	10.0
65	216	222	218	170	185	180	15.0
80	254	260	256	220	200	225	22.0
100	305	313	307	245	229	225	37.0
125	356	364	358	295	254	310	62.0
150	406	414	409	350	285	370	91.0
200	521	529	-	470	345	470	163.0
250	635	645	-	560	406	590	240.0
300	749	759	-	660	483	690	418.0
350	749	759	-	800	533	690	480.0



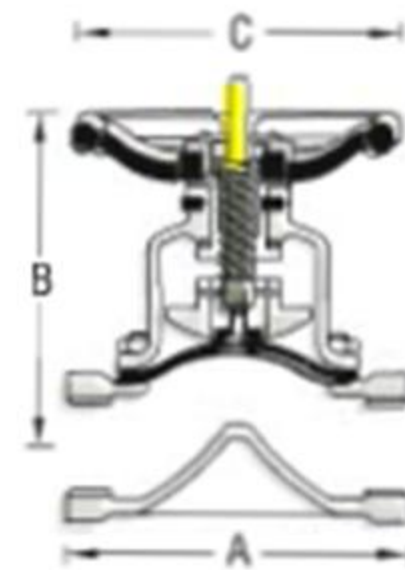
- 1) Diaphragm grade according to working pressure, flow medium & working temperature
- 2) Net (without obligation)
- 3) On request also available with additional auxiliary arrangements like pad-lock, chain wheel extended type stem, electrical / pneumatic actuators & sealed type bonnets with 'O' ring assembly (for vacuum application) etc.
When placing the order, please specify flow medium, working pressure and working temperature

BDK DIAPHRAGM VALVES pg 3 of 3

• **SERIES S screwed**

TEST PRESSURE IN BAR		
PRESSURE RATING IN BAR 2)	16	10
Hyd. Shell	24	15
Shell	16	10
Air Seat	5	

SIZE mm	A		B	D	Wt 1) SW, SWE, BWE
	SSE, SWE, BWE Cl	Alloy			
6/10	48	108	85	70	0.60
15	64	108	85	70	0.90
20	83	117	90	70	1.50
25	108	127	107	100	2.10
32	121	146	115	100	3.50
40	140	159	146	140	4.90
50	165	190	156	140	6.40
65	203	216	173	180	9.60
80	254	254	227	225	17.5
100	-	305	255	225	26.0



BODY / BONNET / COMPRESSOR	Cast iron IS : 210 Gr FG 260,CS / ASTM A 216 Gr. WCB, SS / ASTM A 351 Gr. CF8 / CG8M
DIAPHRAGM	Elastomer /PTFE (Grade according to working conditions)
STEM	Steel ASTM A 276 type 410
BUSHING	S G Iron IS: 1965 Gr. 500/7
CONNECTIONG STUDS / NUTS	Steel IS : 1367 Gr 4.6 / 4
HANDWHEEL	Cast Iron IS : 210
SUFACE PROTECTION FOR CAST IRON AND CAST CARBON STEEL VALVES	Prime coat : chlorine-free with modified alkyd resin, unobjectionable in physiological and toxylogical respects. Additional external coating: stoving enamel

