

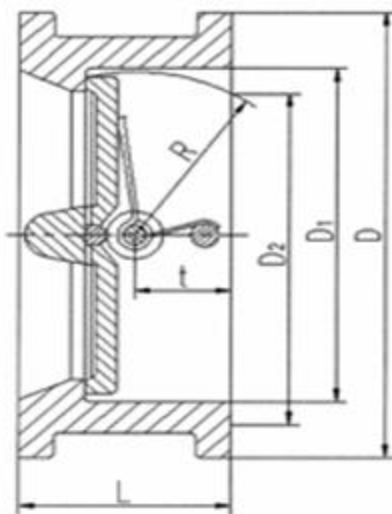
WAFER DOUBLE DOOR CHECK VALVE pg 1 of 1

APPLICATION

- Check valves are used for preventing back flow of liquid medium in pipes. The valves close automatically with the return flow of the liquid medium.



BODY	Cast iron (GG 25) , epoxy powder coated or stainless steel
DISC	Nickel plated ductile iron, bronze, Aluminium bronze or stainless steel (304, 316 CF8M)
STEM	Stainless steel (13% chrome)
GASKET	EPDM rubber, working temp -25 ~ +95°C
SPRING	Stainless steel



SIZE		D	D1	D2	L	R	t	WEIGHT kg
mm	inch							
50	2 "	107	65	43.3	43	28.8	19	1.5
65	2.5 "	127	80	60.2	46	36.1	20	2.4
80	3 "	142	94	66.4	64	43.4	28	3.6
100	4 "	162	117	90.8	64	52.8	27	5.7
125	5 "	192	145	116.9	70	65.7	30	7.3
150	6 "	218	170	144.6	76	78.6	31	9.0
200	8 "	273	224	198.2	89	104.4	33	17
250	10 "	328	265	233.7	114	127	50	26
300	12 "	378	310	283.9	114	148.3	43	42
350	14 "	438	360	332.9	127	172.4	45	55
		555						107
400	16 "	489	410	381.0	140	197.4	52	75
		539						450
500	20 "	594	505	467.8	152	241	58	111
600	24 "	690	624	572.6	178	295.4	73	172
700	28 "	800	720	680	229	354	98	219