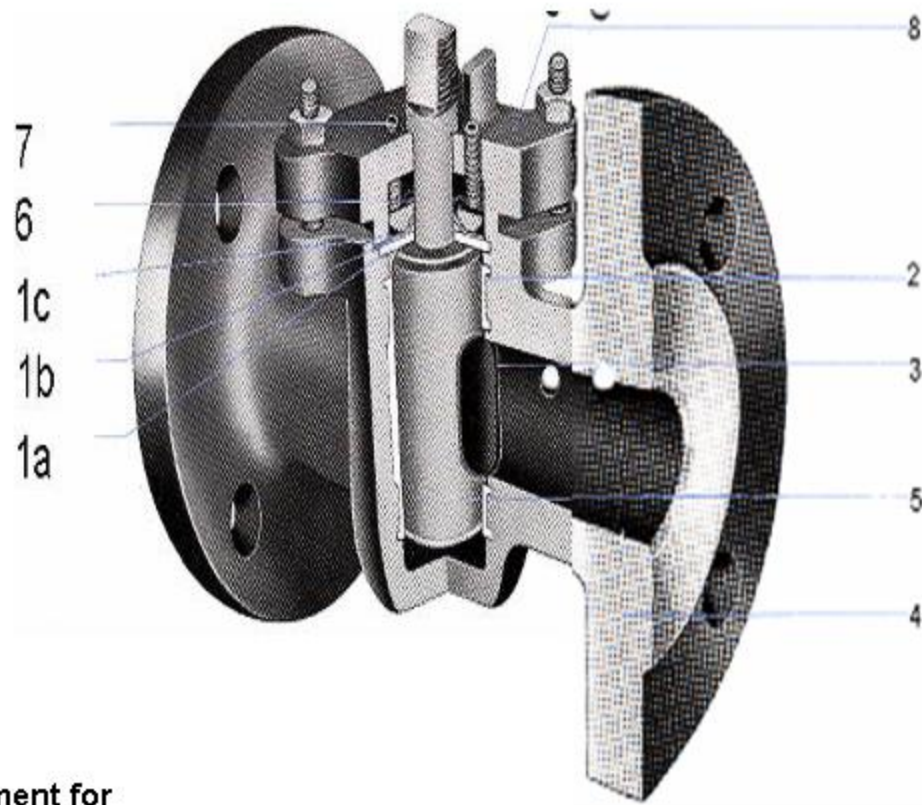
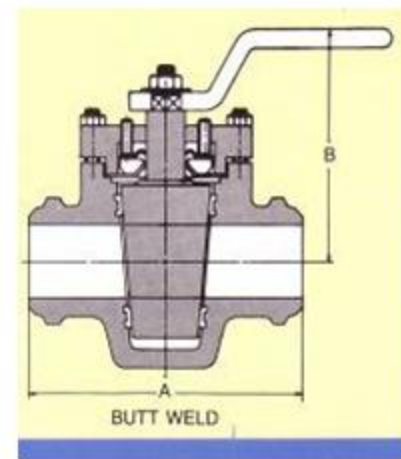
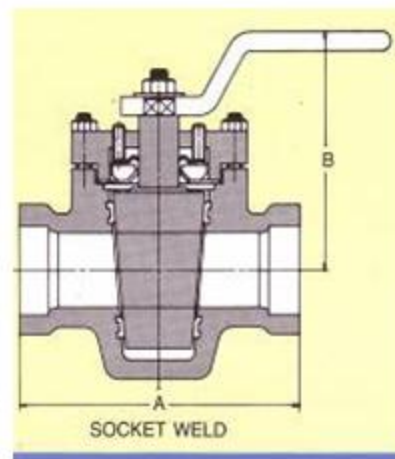
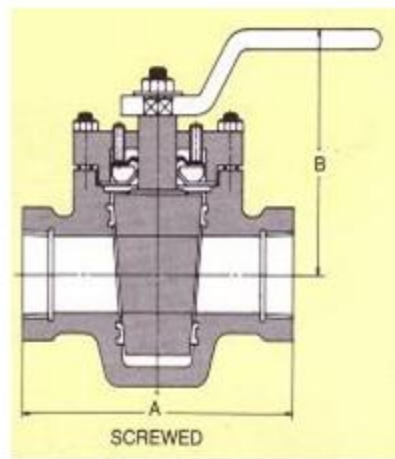
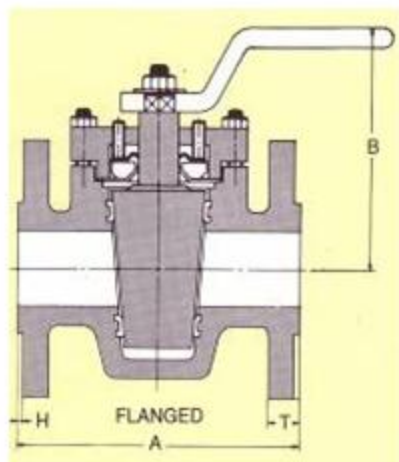


- BDK's new line of teflon sleeved plug valves are designed for high standard of performance.
- These tight shutoff, Bi-directional valves with cavity free passage can be used on both pressure and vacuum services.
- Valves insure long term reliable operation with simplified in line maintenance

- 1a – PTFE DIAPHRAGM
- For positive sealing between body and cover
- 1b – METAL DIAPHRAGM
- Protects PTFE diaphragm and provides additional sealing
- 1c – WEDGE RING
- Provides additional positive stem sealing
- 2 PTFE SLEEVE
- Positive shut off and extended service life.
- 3 RAISED LIPS
- Recesses and grooves positively retains the sleeve in the body
- 4 BODY
- Heavy sound casting assures best quality
- 5 PLUG
- With super finished surface assures reduced torque and in-line seal adjustment for wear.
- 6 STATIC ELIMATOR
- Prevents static charge and sparking
- 7 ADJUSTING SCREW
- Ensure uniform sealing force and helps seal adjustment for wear
- 8 COVER
- Accepts all the types of actuators – Gear – Electric - Pneumatic





VALVE SIZE MM	A	15	20	25	40	50	80	100	150	200	250	300
ANSI CLASS - 150		108	117	127	165	178	203	229	267	292	330	356
ANSI CLASS - 300		140	152	165	190	216	283	305	403	419	457	-
SCREWED												
SOCKET WELD		83	83	117	140	165	203	-	-	-	-	-
BUTT WELD												
	B	100	105	110	130	130	160	180	250	280	320	390