

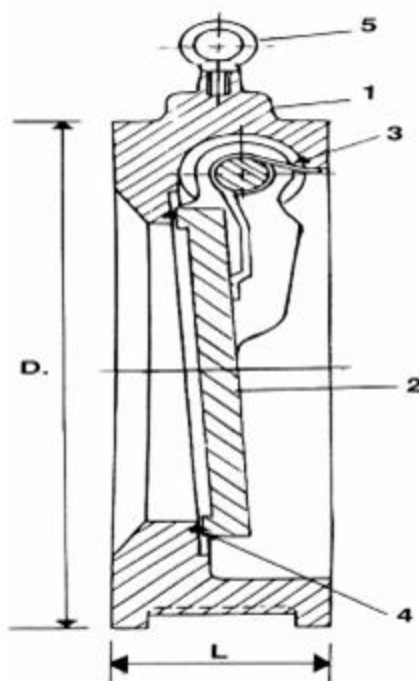
WAFER SINGLE DOOR CHECK VALVE pg 1 of 1

- APPLICATION**

- Check valves are used for preventing back flow of liquid medium in pipes. The valves close automatically with the return flow or the liquid medium PN 16 Bar rated.



BODY	Cast iron (GG 25) to BS 1452 Gr. 220
DISC	Stainless steel 316
SPRING	Inconel
O-RING	Viton, nitrile rubber or P.T.F.E
EYE BOLT	Mild steel cadmium plate



SIZE		D	L	WEIGHT kg
mm	inch			
50	2 "	98	45	1.8
65	2.5 "	111	48	2.4
80	3 "	130	50	3.2
100	4 "	162	57	5.4
125	5 "	194	64	7.3
150	6 "	315	70	9.8
200	8 "	273	73	14.6
250	10 "	336	79	23.6
300	12 "	384	86	34.4
350	14 "	447	108	75
400	16 "	499	108	91
450	18 "	508	108	100
500	20 "	610	140	154
600	24 "	727	152	260