

- APPLICATIONS

- in all process industries demanding the anti-corrosive qualities and abrasion resistance of cast stainless steel to ANSI 150 standards.
- Ideal for both on/off and throttling duties.

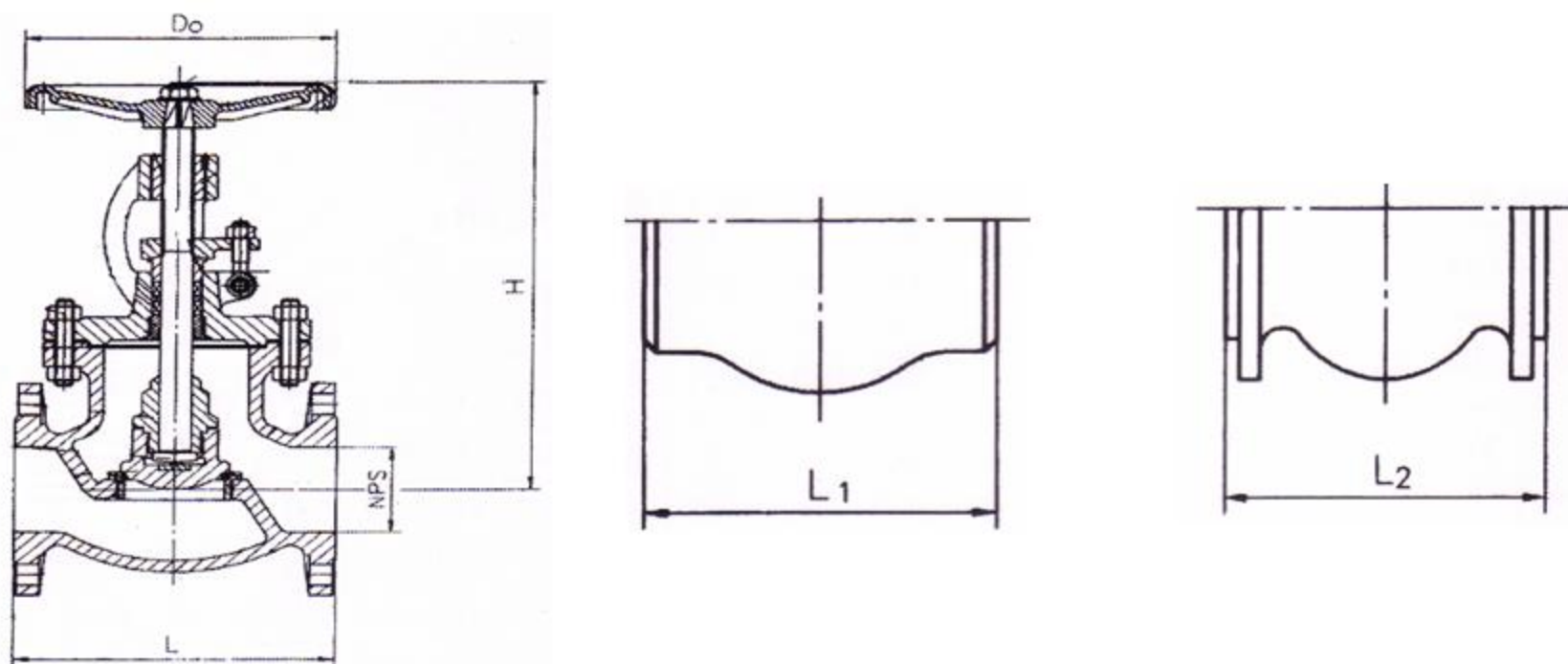
- SPECIFICATION

- design and construction conform to ANSI B16.34.
- ANSI 150 RF flanges conform to ANSI B16.5 with face-to-face dimensions to ANSI B16.10. The swivel plug disk (illustrated) is carefully contoured for precise mating with the integral body seat for positive shut-off. In size DN250 the plug disk is bottom-guided as shown. Valves sized DN125 and below are furnished with hexagon head bolts; sizes DN150 and above employ a full threaded stud bolt
- and nuts. Marking on valve body and name plate are to MSS-SP-25.



STAINLESS STEEL GLOBE VALVE pg 2 of 4

Class 150 - dimensions and weights

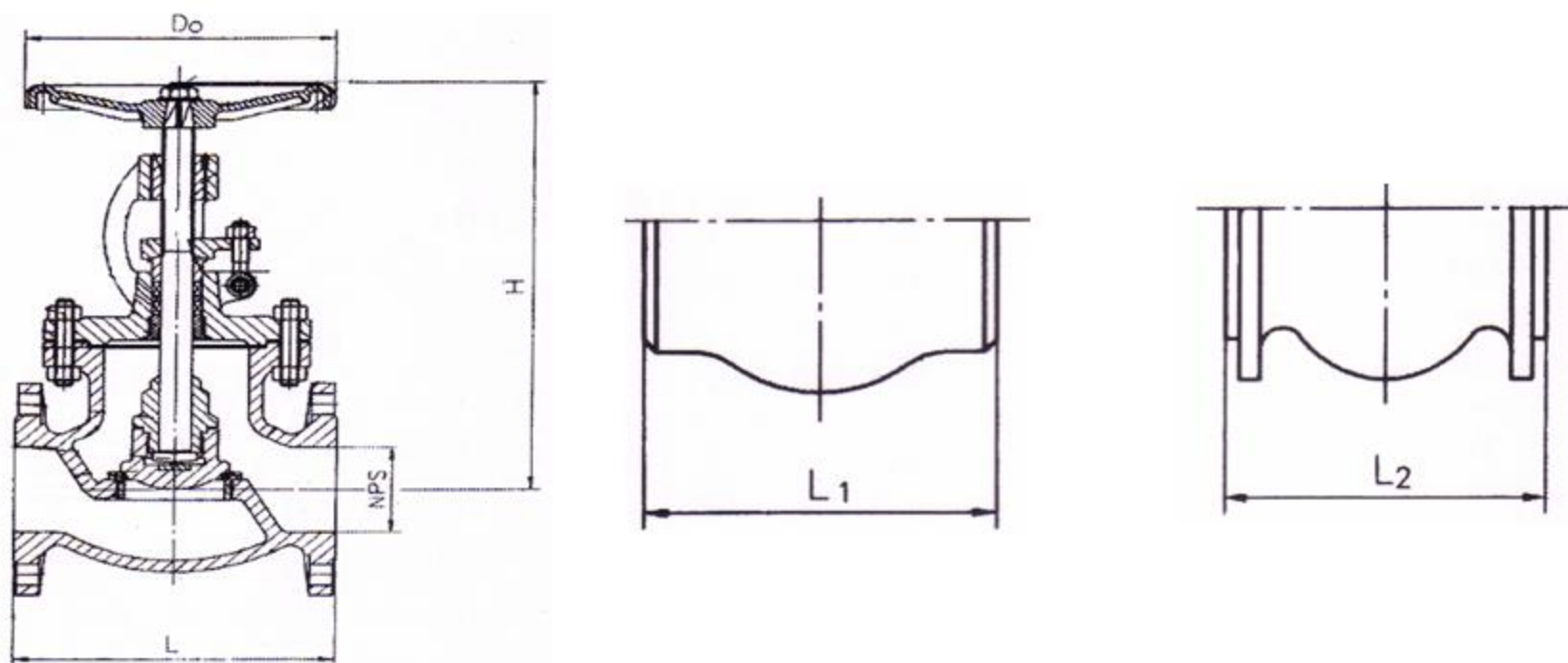


CLASS 150

ON NPS	15	25	40	50	65	80	100	125	150	200	250	300
L - L1 (RF - BW)	108	127	165	203	216	241	292	356	406	495	622	699
L2 (RTJ)	119	140	178	216	229	254	305	369	419	508	635	711
H	320	335	345	380	435	465	530	580	650	760	860	1000
D)	150	200	200	200	250	250	300	300	350	400	500	600
R.F (kg)	14	15	16	21	30	41	64	90	113	190	238	410

STAINLESS STEEL GLOBE VALVE pg 3 of 4

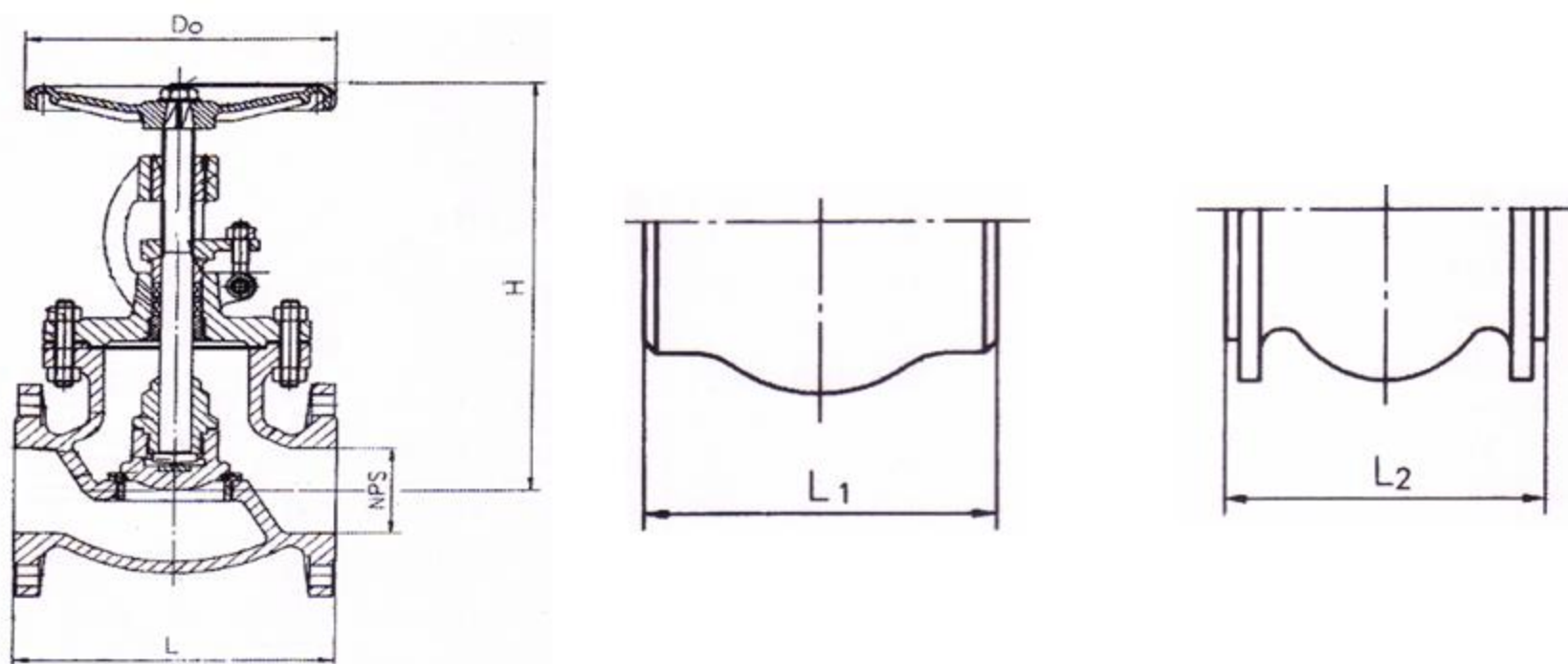
Class 300 - dimensions and weights



CLASS 300											
ON NPS	15	25	40	50	65	80	100	125	150	200	250
L - L1 (RF - BW)	152	203	229	267	292	318	356	400	445	559	622
L2 (RTJ)	163	216	241	283	308	333	371	416	460	575	638
H	370	385	405	425	465	530	610	695	790	870	1040
D)	200	200	200	200	250	250	300	300	400	500	600
R.F (kg)	20	23	26	37	50	61	115	130	176	333	340

STAINLESS STEEL GLOBE VALVE pg 4 of 4

Class 600 - dimensions and weights



CLASS 600										
ON NPS	15	25	40	50	65	80	100	150	200	250
L - L1 (RF - BW)	165	216	241	292	330	356	432	559	660	787
L2 (RTJ)	163.4	216	241	295	333	359	435	559	660	787
H	385	398	415	475	515	585	475	773	870	1016
D)	200	200	200	250	250	300	350	500	600	700
R.F (kg)	22	25	28	39	56	68	121	320	510	990